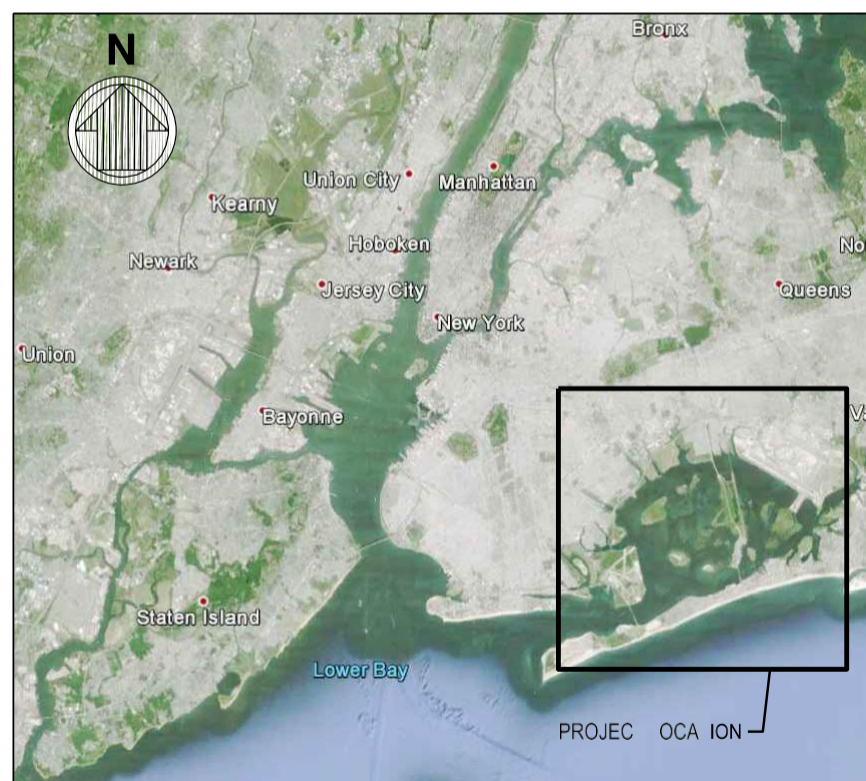


APPENDIX A3 Part 3
PRELIMINARY PLANS AND SECTIONS FOR RESIDUAL RISK
REDUCTION PROJECTS FOR JAMAICA BAY

COASTAL STORM RISK MANAGEMENT REFORMULATION STUDY FOR THE ATLANTIC COAST OF NEW YORK CITY

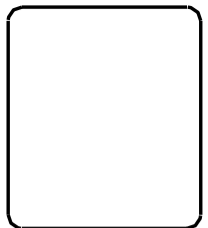
EAST ROCKAWAY INLET TO ROCKAWAY INLET AND JAMAICA BAY



LOCATION MAP
N.T.S.

DRAWING INDEX	
Sheet Number	Sheet Title
01	TITLE SHEET
02	KEY MAP
03	PROJECT No. 7 – EDGE MERE
04	PROJECT No. 11 – BROOKVILLE BLVD
05	PROJECT No. 9 – MOTT BASIN
06	PROJECT No. 8 – NORTON BASIN
07	PROJECT No. 15 – CANAR SIE
08	TYPICAL SECTIONS (SHEET 1 OF 3)
09	TYPICAL SECTIONS (SHEET 2 OF 3)
10	TYPICAL SECTIONS (SHEET 3 OF 3)

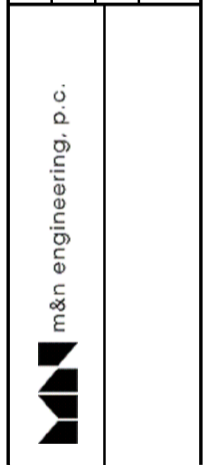
REVISION 00-2016-02-02
PRELIMINARY DESIGN
ISSUED: 2016-06-22
NOT TO BE USED FOR CONSTRUCTION



Mark	Description	Date

TITLE SHEET

Designed by: ED	Plotted by: KW	Date: 02/02/16	Rev: 00
Dwn by: YC	Reviewed by: KW	M&N Project No: 0987-26	
Submitted by: M&N ENGINEERING, P.C.	Drawing code:	Drawing Scale:	Plot scale: 1:1 (B SHEET)



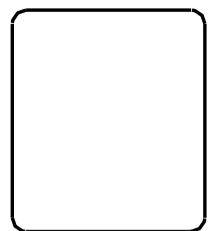
SEAL

Sheet Reference Number:
01
Sheet 01 of 10



KEY MAP
N.T.S.

REVISION 00-2016-02-02
PRELIMINARY DESIGN
ISSUED: 2016-06-22
NOT TO BE USED FOR CONSTRUCTION



Mark	Description	Date	Appr

KEY MAP

Designed by: ED	Date: 02/02/16	Rev. 00
Dwn by: YC	M&N Project No: G987-26	
Reviewed by: KW	Drawing code:	
Submitted by: M&N ENGINEERING, P.C.	Drawing Scale:	
	Plot scale: 1:1 (B SHEET)	

SEAL

Sheet Reference Number:
02
Sheet 02 of 10



Rev.	Date	Description

PROJECT No. 7 - EDGEMERE

Designed by: ED	Date: 02/02/16	Rev: 00
Dwn by: YC	M&N Project No: 6987-26	
Reviewed by: KW	Drawing code:	
Submitted by:	Drawing Scale:	
M&N ENGINEERING, P.C.	Plot scale: 1:1 (B SHEET)	

m&n engineering, p.c.

SEAL

Sheet Reference Number:
03
Sheet 03 of 10

1 PROJECT No. 7 – EDGEMERE
SCALE: 1" = 250'

NOTES

- TOP OF PROJECT MEASURE TO BE CONSTRUCTED TO DESIGN EL. 6.0 FT, NAVD88.

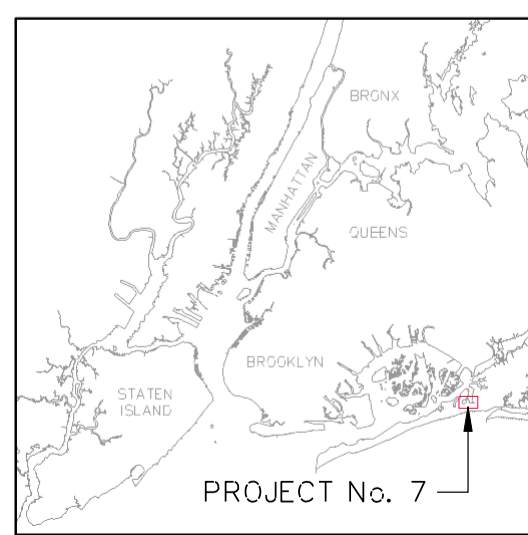
LEGEND

- BERM
- BULKHEAD

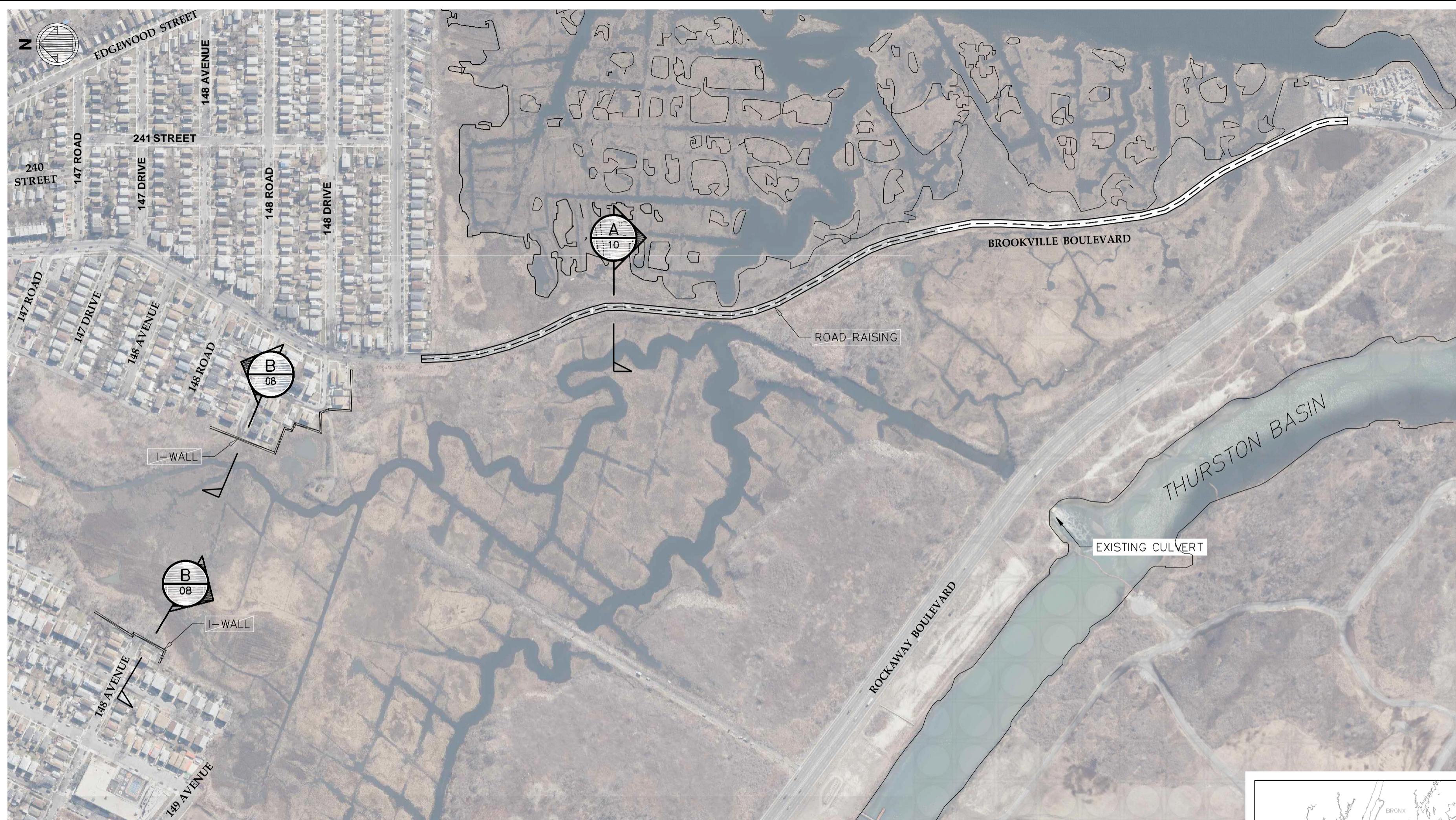
MICROSOFT PRODUCT SCREEN SHOT(S) REPRINTED WITH PERMISSION FROM MICROSOFT CORPORATION.

125' 0' 125' 250'
SCALE: 1"=250'

REVISION 00-2016-02-02
PRELIMINARY DESIGN
ISSUED: 2016-06-22
NOT TO BE USED FOR CONSTRUCTION



KEY PLAN



--

Rev.	Date	Description

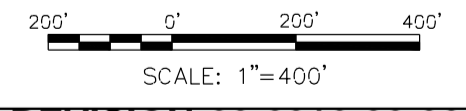
PROJECT No. 11 - BROOKVILLE BLVD

Designed by: ED	Date: 02/02/16	Rev: 00
Dwn by: YC	M&N Project No: 0987-26	
Reviewed by: KW	Drawing code:	
Submitted by:	Drawing Scale:	
M&N ENGINEERING, P.C.	Plot scale: 1:1 (B SHEET)	

m&n engineering, p.c.

--

1 PROJECT No. 11 – BROOKVILLE BLVD
SCALE: 1" = 400'



NOTES

1. TOP OF PROJECT MEASURE TO BE CONSTRUCTED TO DESIGN EL. 5.5 FT, NAVD88.

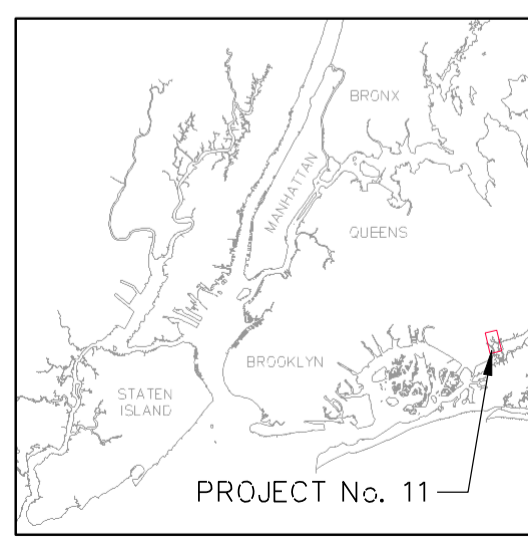
LEGEND

- ROAD RAISING
- I-WALL



*MICROSOFT PRODUCT SCREEN SHOT(S)
REPRINTED WITH PERMISSION FROM
MICROSOFT CORPORATION*.

REVISION 00-2016-02-02
PRELIMINARY DESIGN
ISSUED: 2016-06-22
NOT TO BE USED FOR CONSTRUCTION



KEY PLAN



Rev.	Date	Description	Appr.

PROJECT No. 9 - MOTT BASIN

Designed by: ED	Date: 02/02/16	Rev: 00
Dwn by: YC	M&N Project No: 0987-26	
Reviewed by: KW	Drawing code:	
Submitted by: M&N ENGINEERING, P.C.	Drawing Scale: Plot scale: 1:1 (B SHEET)	

m&n engineering, p.c.

SEAL

Sheet Reference Number: **05**
Sheet 05 of 10

1 PROJECT No. 9 – MOTT BASIN
SCALE: 1" = 140'

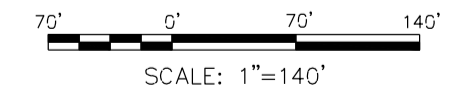
NOTES

- TOP OF PROJECT MEASURE TO BE CONSTRUCTED TO DESIGN EL. 6.0 FT, NAVD88.

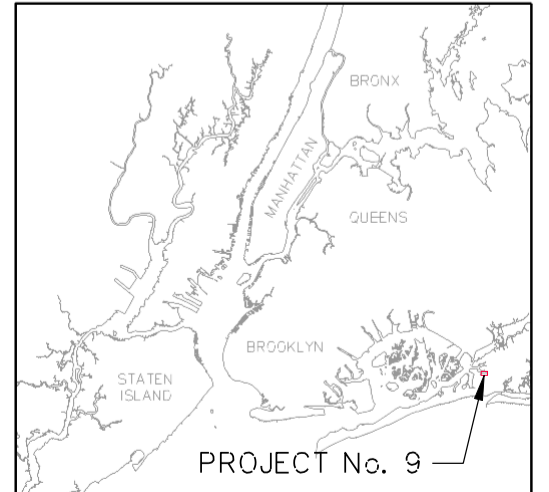
LEGEND

	BERM
	BULKHEAD

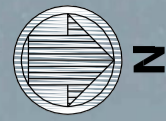
bing maps
MICROSOFT PRODUCT SCREEN SHOT(S) REPRINTED WITH PERMISSION FROM MICROSOFT CORPORATION.



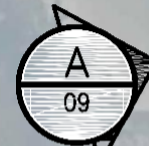
REVISION 00-2016-02-02
PRELIMINARY DESIGN
ISSUED: 2016-06-22
NOT TO BE USED FOR CONSTRUCTION



KEY PLAN



NORTON BASIN



BULKHEAD



I-WALL

COLDSPRING ROAD

WATERVIEW STREET

BAYSWATER AVENUE

TRIST PLACE

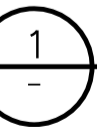
BAILEY COURT

NORTON DRIVE

HARBOUR COURT

WATERLOO PLACE

ANCHOR DRIVE



PROJECT No. 8 - NORTON BASIN

SCALE: 1" = 160'

NOTES

- 1. TOP OF PROJECT MEASURE TO BE CONSTRUCTED TO DESIGN EL. 6.0 FT, NAVD88.

LEGEND

- BULKHEAD
- I-WALL

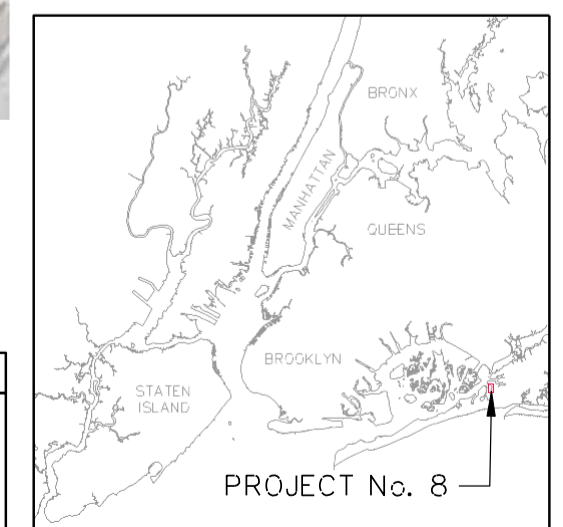


*MICROSOFT PRODUCT SCREEN SHOT(S)
REPRINTED WITH PERMISSION FROM
MICROSOFT CORPORATION*.



SCALE: 1"=160'

REVISION 00-2016-02-02
PRELIMINARY DESIGN
ISSUED: 2016-06-22
 NOT TO BE USED FOR CONSTRUCTION



PROJECT No. 8

KEY PLAN

Date	Description	Mark	Appr.

PROJECT No. 8 - NORTON BASIN

Date: 02/02/16
 M&N Project No: 0987-26
 Designed by: ED
 Dwn by: YC
 M&N Project No: 0987-26
 Drawn by: RW
 Reviewed by: KW
 Submitted by: M&N ENGINEERING, P.C.
 Drawing Code: 1:1 (B SHEET)
 Drawing Scale: 1:1 (B SHEET)
 Plot Scale: 1:1 (B SHEET)

m&n engineering, p.c.

SEAL

Sheet Reference Number:
06
 Sheet 06 of 10



Mark	Description	Date

PROJECT No. 15 - CANARSIE

Designed by: ED	Date: 02/02/16	Rev: 00
Dwn by: YC	M&N Project No: 0987-26	
Reviewed by: KW	Drawing code:	
Submitted by: M&N ENGINEERING, P.C.	Drawing Scale: Plot scale: 1:1 (B SHEET)	

m&n engineering, p.c.

1 PROJECT No. 15 – CANARSIE
SCALE: 1" = 100'

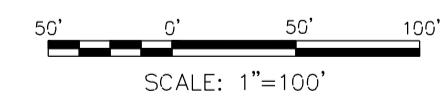
NOTES

- TOP OF PROJECT MEASURE TO BE CONSTRUCTED TO DESIGN EL. 6.0 FT, NAVD88.

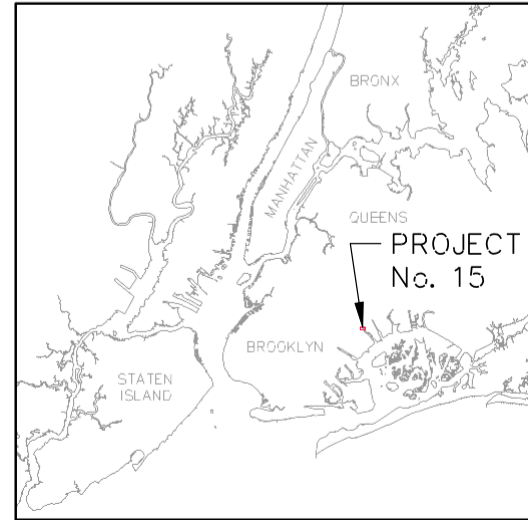
LEGEND

REVTMENT

MICROSOFT PRODUCT SCREEN SHOT(S) REPRINTED WITH PERMISSION FROM MICROSOFT CORPORATION.

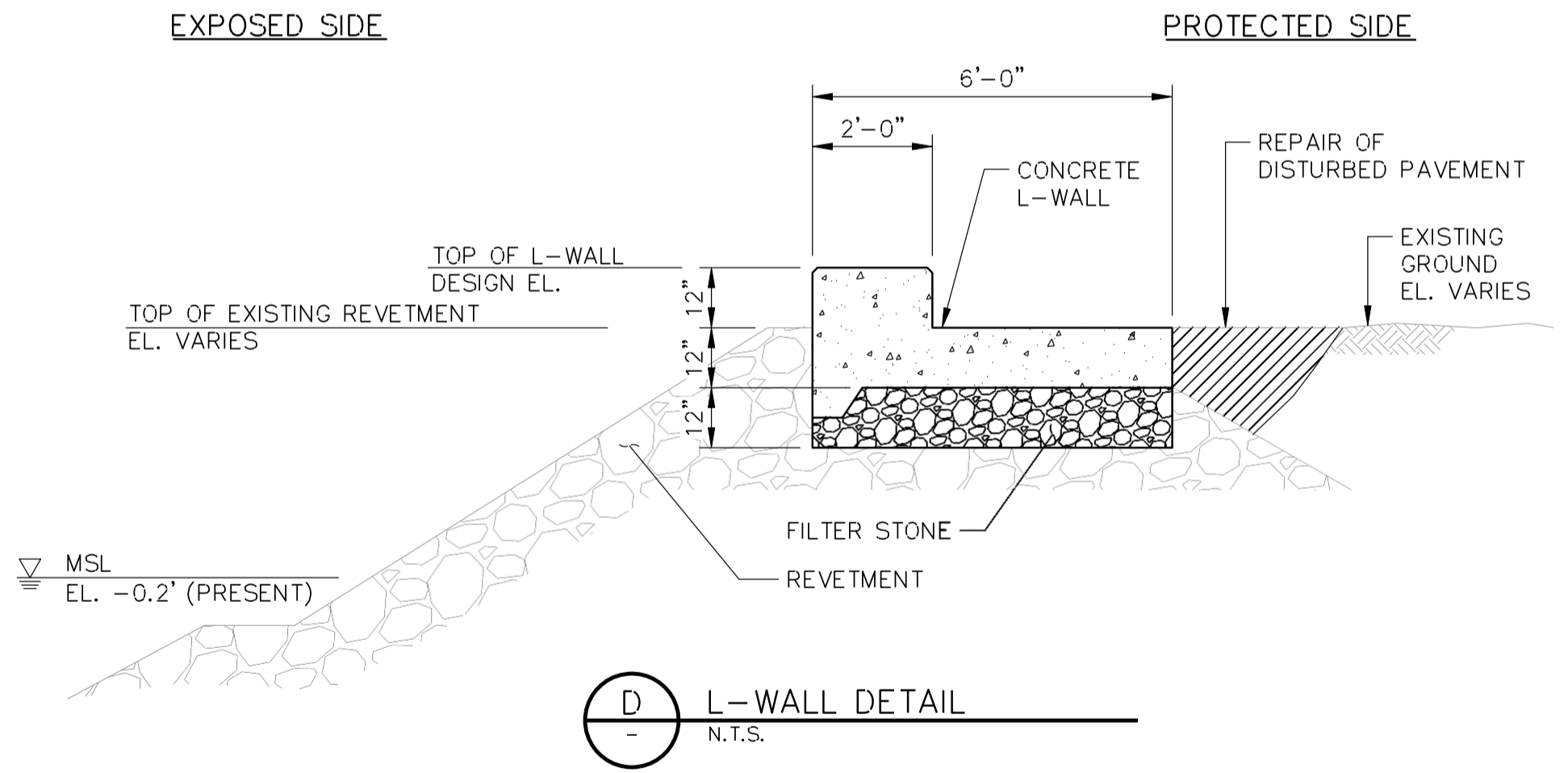
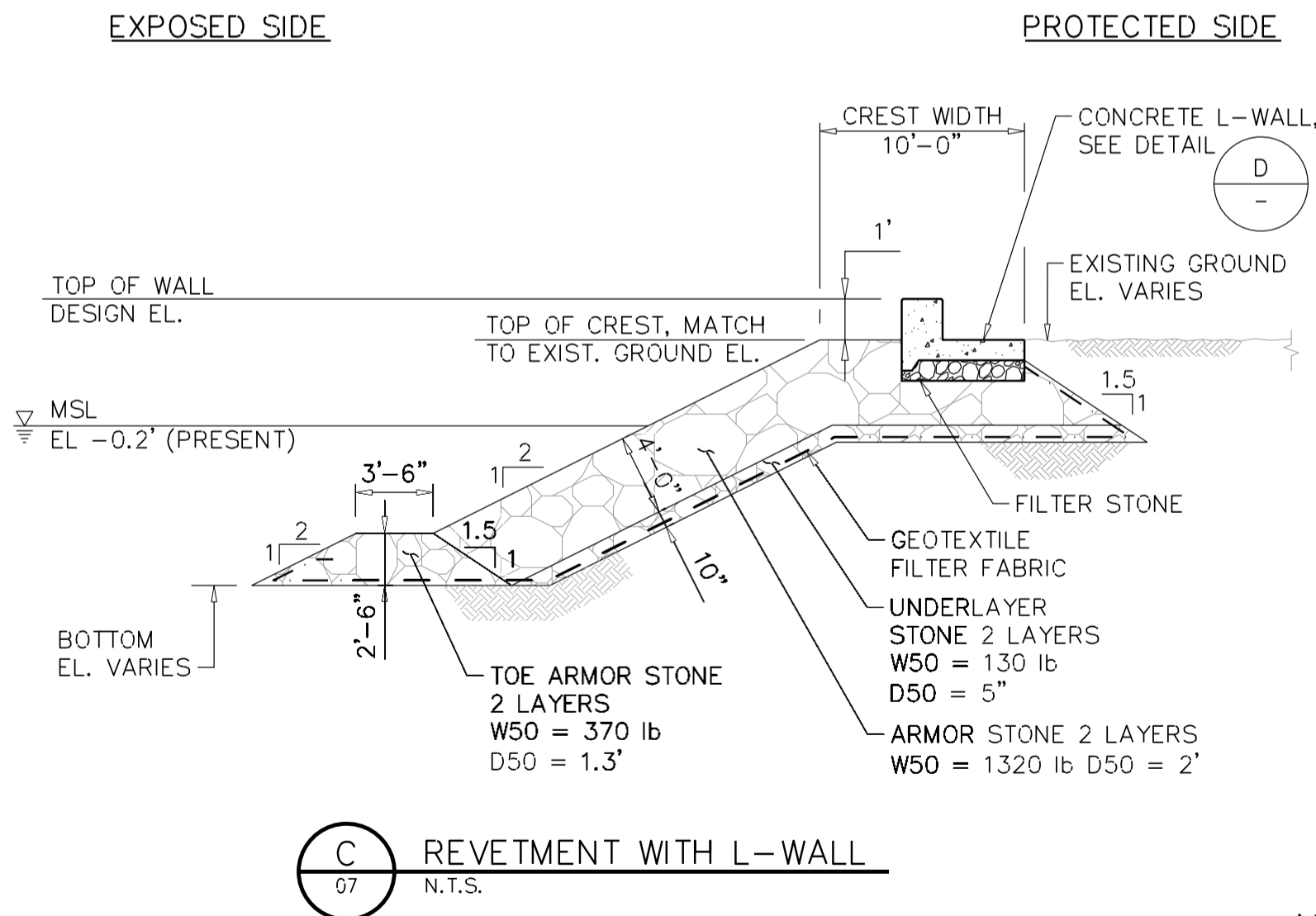
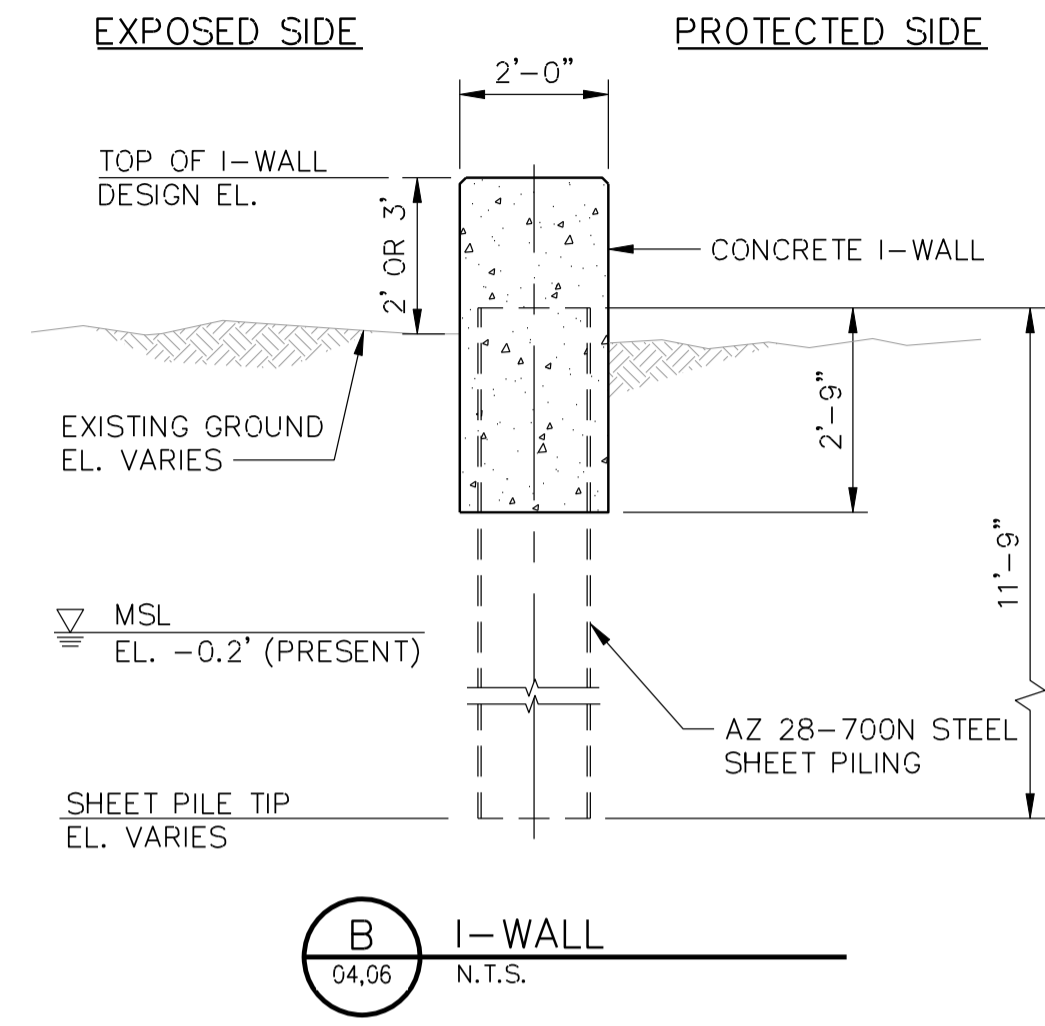
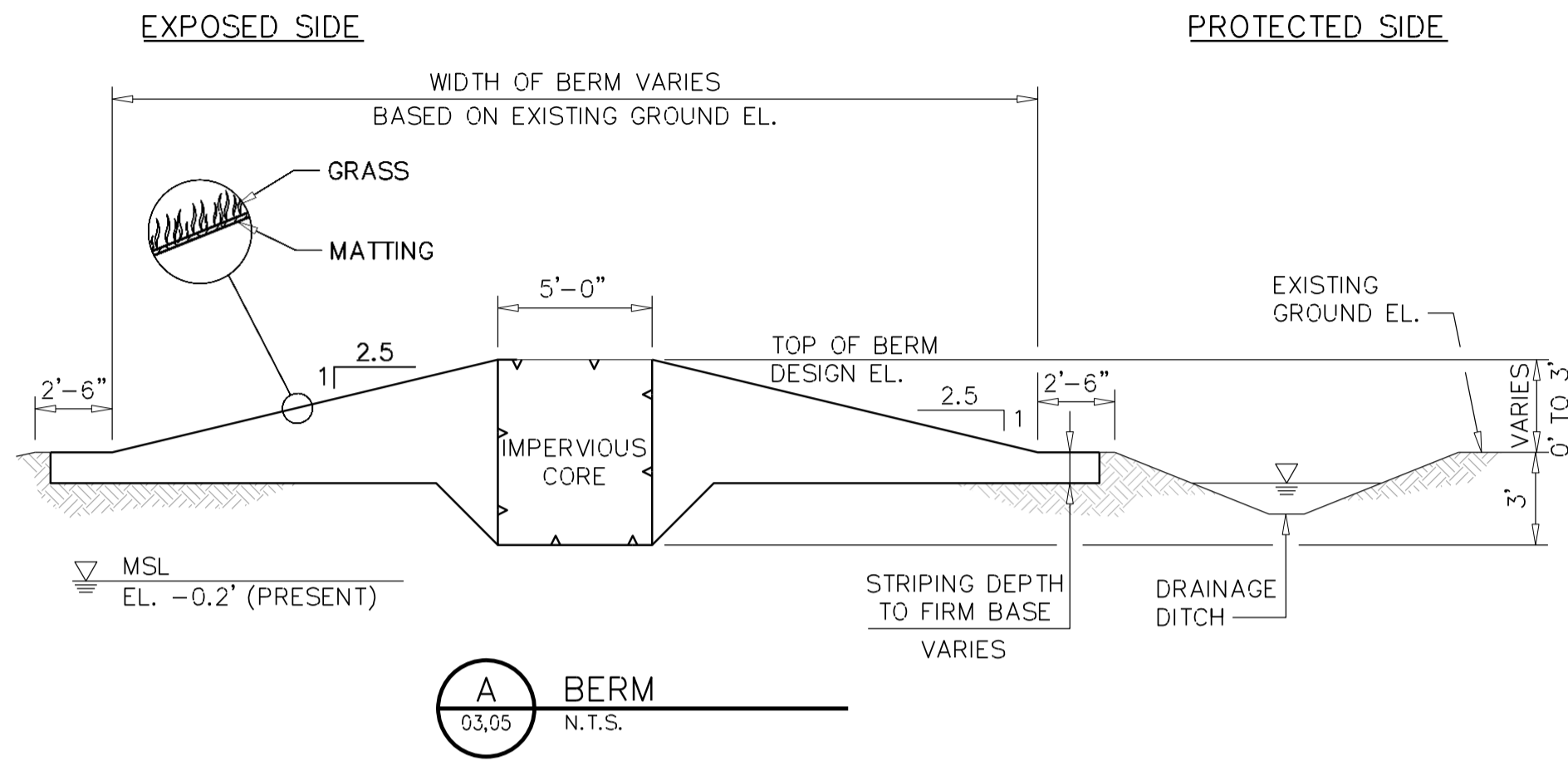


REVISION 00-2016-02-02
PRELIMINARY DESIGN
ISSUED: 2016-06-22
NOT TO BE USED FOR CONSTRUCTION



SEAL

Sheet Reference Number:
07
Sheet 07 of 10



NOTE

- ALL ELEVATIONS ARE REFERENCED TO NAVD88 GEOD12A AND PRESENTED IN FEET UNLESS SPECIFICALLY STATED OTHERWISE.

REVISION 00-2016-02-02
PRELIMINARY DESIGN
ISSUED: 2016-06-22
NOT TO BE USED FOR CONSTRUCTION

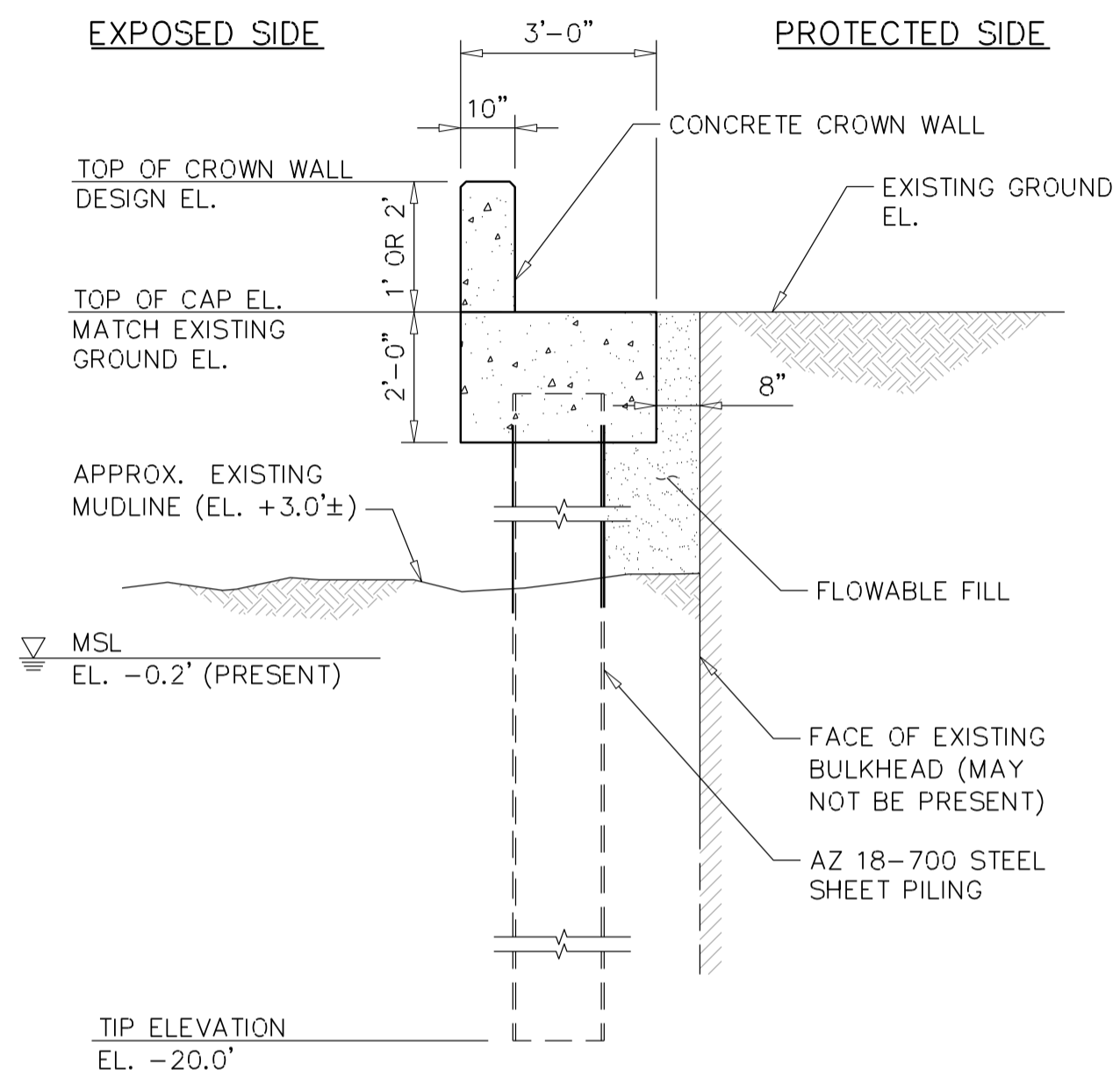
No.	Rev.	Date	Description

TYPICAL SECTIONS (SHEET 1 OF 3)

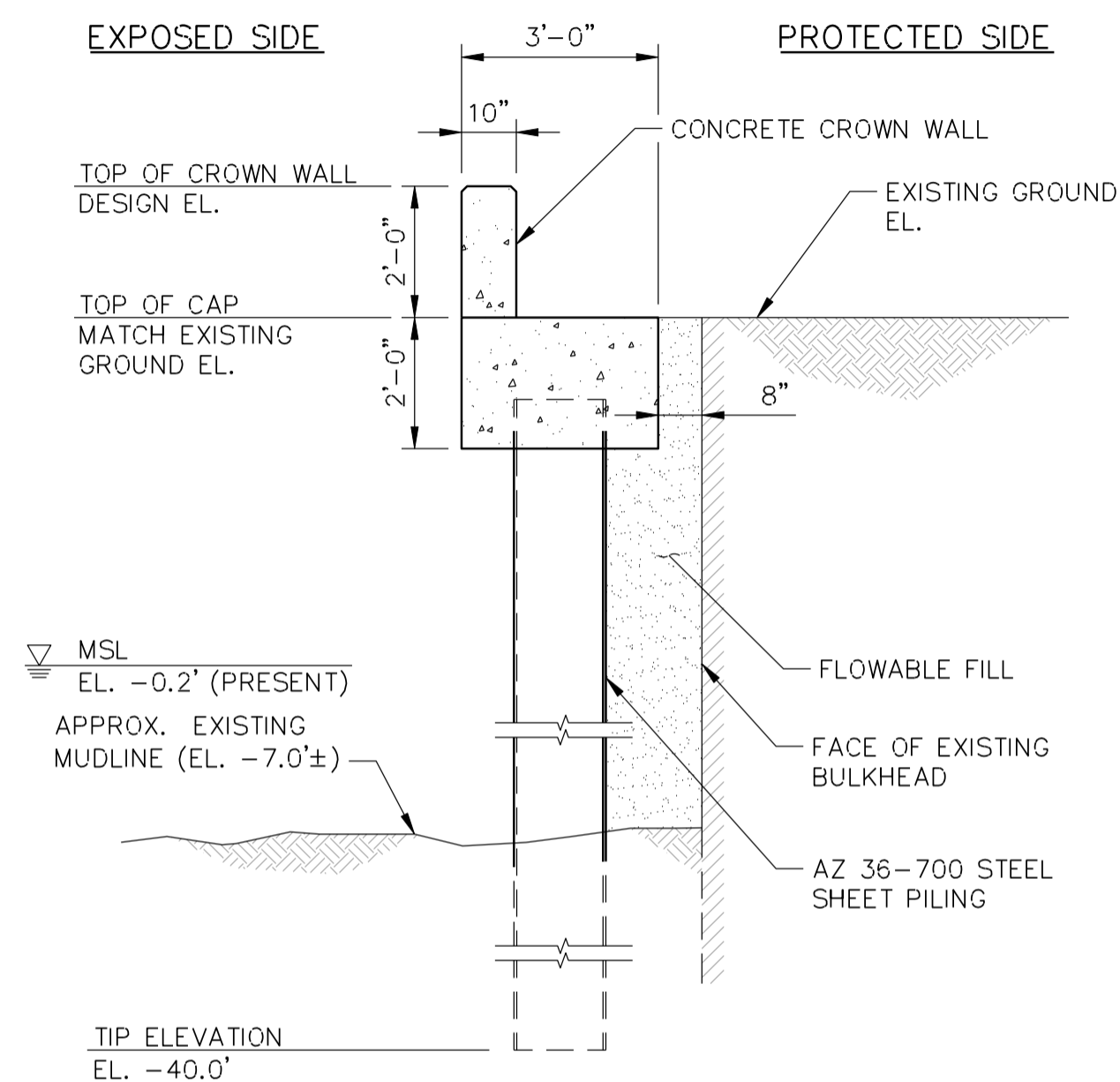
Designed by: ED	Drawn by: YC	Reviewed by: KW	Submitted by: M&N ENGINEERING, P.C.	Date: 02/02/16	Rev: 00
				M&N Project No: 0987-26	
				Drawing code:	
				Drawing Scale: Plot scale: 1:1 (B-SHEET)	

m&n engineering, p.c.

SEAL



A
05,06
NEW BULKHEAD WITH CROWN WALL (SHALLOW)
N.T.S.



B
03
NEW BULKHEAD WITH CROWN WALL (DEEP)
N.T.S.

NOTE

1. ALL ELEVATIONS ARE REFERENCED TO NAVD88 GEOD12A AND PRESENTED IN FEET UNLESS SPECIFICALLY STATED OTHERWISE.

REVISION 00-2016-02-02
PRELIMINARY DESIGN
ISSUED: 2016-06-22
NOT TO BE USED FOR CONSTRUCTION

Rev.	Date	Description

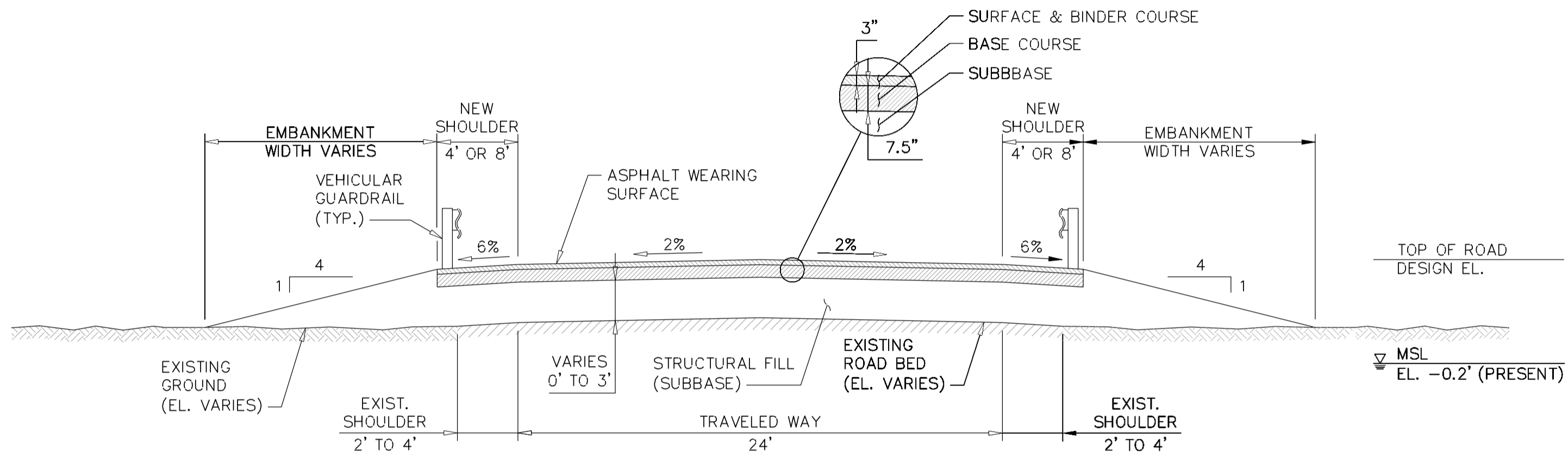
TYPICAL SECTIONS (SHEET 2 OF 3)

Designed by: ED	Date: 02/02/16	Rev: 00
Dwn by: YC	M&N Project No: 0387-26	
Reviewed by: KW	Drawing code:	
Submitted by:	M&N ENGINEERING, P.C.	Drawing Scale: Plot scale: 1:1 (B SHEET)

m&n engineering, p.c.

SEAL

Sheet Reference Number:
09
Sheet 09 of 10



A **ROAD RAISING**
04 N.T.S.

NOTES

1. ALL ELEVATIONS ARE REFERENCED TO NAVD88 GEOID12A AND PRESENTED IN FEET UNLESS SPECIFICALLY STATED OTHERWISE.
2. DETAILED DESIGN OF ROADWAY DIMENSIONS AND FEATURES TO BE DETERMINED BASED ON COORDINATION WITH NYCDOT.

REVISION 00-2016-02-02
PRELIMINARY DESIGN
ISSUED: 2016-06-22
 NOT TO BE USED FOR CONSTRUCTION

Date	Description	Mark

Date	Description	Mark

TYPICAL SECTIONS (SHEET 3 OF 3)

Designed by: ED	Date: 02/02/16	Rev: 00
Dwn by: YC	M&N Project No: 0987-26	
Reviewed by: KW	Drawing code:	
Submitted by:	Drawing Scale:	
M&N ENGINEERING, P.C. Plot scale: 1:1 (B SHEET)		

m&n engineering, p.c.

SEAL

Sheet Reference Number:
10
 Sheet 10 of 10